

“ Cinema
in preview ”

- **Formats**
- **Technical data**
- **Rates**
- **Readership**
- **Circulation**
- **Publication schedule 2016**



PROMOGUIDE

Rue des Bains 35
CP 5615 – 1211 Genève 11
Tél. +41 (0)22 809 94 55
Fax +41 (0)22 809 94 99

www.promoguide.ch

YEAR
2016 media data

PAGE





AVANT PREMIÈRE / FILM DEMNÄCHST

Magazines of all cinemas, **Avant Première** and **Film demnächst** place the same emphasis on movies which would appeal to the wider public as their favourites, and on works with lower visibility.

More than ever, the editorial formula developed for **Avant Première** and **Film demnächst** serves all cinemas, and all kind of audiences. But their passion, freedom and eclecticism have not changed!

The MACH -Basic 2015-02 study also shows the commitment and interest of **Avant Première** and **Film demnächst**'s audience, by certifying their readership of **865'000**. Thanks to a national distribution, **Avant Première** and **Film demnächst** are simply synonymous of an effective communication.

www.avant-premiere.ch
www.film-demnaechst.ch

LIST OF MAGAZINES BY UNIVERSE

Cab

Taxi Com'

Current Topics and Society

Paris Match (swiss pages)

Elle (swiss pages)

Economy and Companies

Banque & Finance

Banking Solutions

Genève en chiffres

CCIGinfo

Family

Babymag.ch (french version)

Babymag.ch (german version)

Movies

Avant Première

Film demnächst

Professional Publications

Le Cafetier

et son supplément «Entr'Acte»

Public Administration

Affaires Publiques

Tourism

Plan de Genève

Watchmaking Industry

L'Année Horlogère Suisse



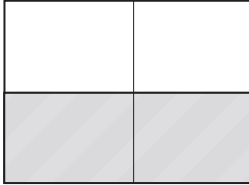


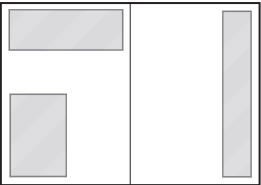

Journal suisse d'Horlogerie

TV

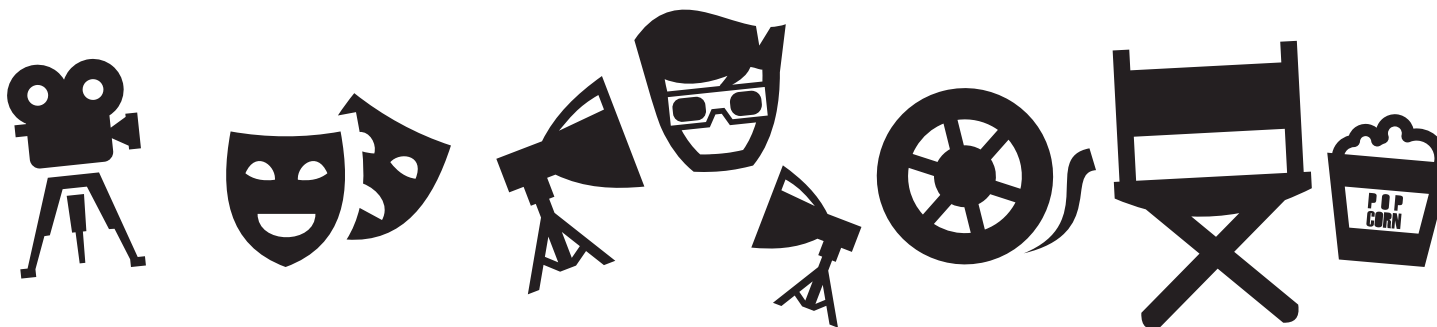
Agent Suisse Canal+ Régie

YEAR
2016 media data

FORMATS

<p>1/1 mirror 184 x 271 mm</p> <p>1/1 free edged 210 x 297 mm + 3 mm cut</p>		<p>2/1 page free edged 420 x 297 mm + 3 mm cut</p>		<p>1/2 page free edged 420 x 144 mm + 3 mm cut</p>			
<p>1/2 width free edged 210 x 144 + 3 mm cut</p> <p>1/2 mirror 184 x 133 mm</p>		<p>1/2 height free edged 102 x 297 mm + 3 mm cut</p> <p>1/2 height mirror 89 x 271 mm</p>		<p>1/4 width mirror 184 x 64 mm</p> <p>1/4 square mirror 89 x 133 mm</p>		<p>1/4 height mirror 43.5 x 271 mm</p>	

! For free edges ads: + 3 mm cut on every sides. Texts and illustrations should not be less than 5 mm from the edges.



YEAR
2016 media data

TECHNICAL DATA

FREQUENCY
10 issues per year

FORMAT
A4: 210 x 297 mm

DATA
Screen: 60
Printing: four-color offset

MATERIAL
CD-Rom, USB key, DVD Mac/PC
PDF high definition
All fonts included (vectorized).
Attach proof/cromalin of ad

TRANSMISSION
By e-mail
or FTP
www.promoedition.ch/ftp
User and password on request

➤ RATES

FORMATS	AVANT PREMIÈRE	FILM DEMNÄCHST	RATES COMBI (-15%)	SPECIAL RATES	
1/1 – page	5'900.–	8'900.–	12'580.–	Inserts:	on demand
Cover 4	7'500.–	11'200.–	15'895.–	Special issue:	on demand
Cover 3	6'300.–	9'300.–	13'260.–	Prescribed position:	+ 10%
Cover 2	6'900.–	10'200.–	14'535.–	Black & white ad:	- 30%
1/2 pano	5'900.–	8'900.–	12'580.–	Repetition discount:	
2/1 – pano	8'850.–	13'350.–	18'870.–	3x:	- 3%
1/2	3'600.–	4'900.–	7'225.–	6x:	- 7.5%
1/4	2'000.–	2'700.–	3'995.–	9x:	- 12%
			Rates in swiss francs, + VAT 8%.	Agency commission:	- 15%
				JUP:	- 15%

➤ CIRCULATION

NATIONAL CIRCULATION

- ✗ in swiss cinemas
- ✗ in video club

! The granting of JUP is from 3 pages per year. The agency commission and JUP are not cumulative. The combination discount and repetition is cumulative. All prices are quoted for material supplied ready for reproduction and complying with technical standards. Costs arising from non-conforming material will be charged extra. Cancellations are not accepted, save in exceptional circumstances. Allow a period of 4 weeks before the publication date.

➤ READERSHIP

PRINT RUN/REMP 2014

Avant Première: **57'702 ex.**
Film demnächst: **66'507 ex.**

READERSHIP (MACH BASIC 2015-02)

cRR
Avant Première: 89'000 readers
Film demnächst: 163'000 readers

**TOTAL: 252'000 readers
per issue**

BRS

Avant Première: 310'000 readers
Film demnächst: 555'000 readers

TOTAL: 865'000 global readers

YEAR
2016 media data

➤ PUBLICATION SCHEDULE 2016

Avant Première	Film demnächst	Period / Thema	Publication	Material
341	316	February	27.01.2016	08.01.2016
342	317	March	24.02.2016	05.02.2016
343	318	April	30.03.2016	11.03.2016
344*	319	May	27.04.2016	08.04.2016
345	320	June	25.05.2016	06.05.2016
346*	321*	July - August / open-air cinema	29.06.2016	10.06.2016
347	322	September	31.08.2016	12.08.2016
348	323	October	28.09.2016	09.09.2016
349	324	November	26.10.2016	07.10.2016
350*	325*	December 2016 / January 2017	30.11.2016	11.11.2016

➤ WEBSITE

www.avant-premiere.ch
www.film-demnaechst.ch

➤ PUBLISHER



Rue des Bains 35 – CP 5615 – 1211 Genève 11
Tél. +41 (0)22 809 94 55 – Fax +41 (0)22 809 94 99

website:
www.promoedition.ch

YEAR
2016 media data

PAGE



* Double issue